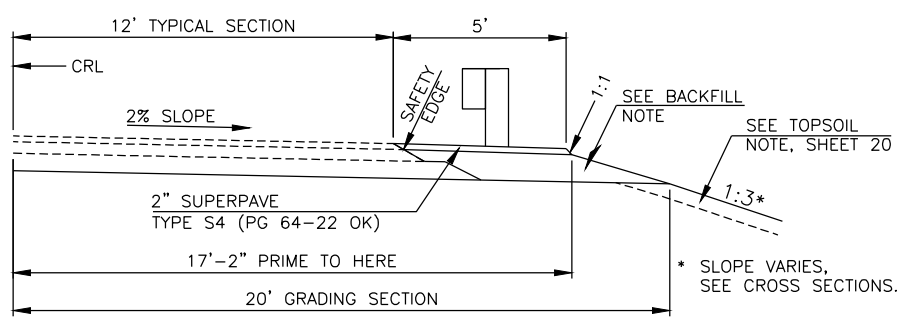


TYPICAL SECTION - EW-187
 STA. 98+85.00 TO STA. 256+48.28
 STA. 257+28.50 TO STA. 363+26.82

EROSION CONTROL AND CONSTRUCTION NOTES

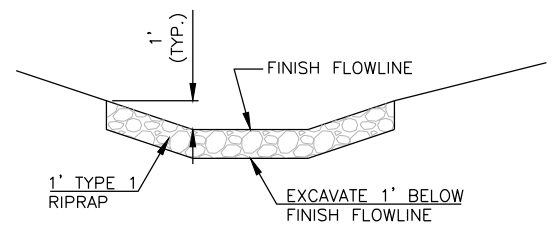
SEE EROSION CONTROL PLAN, SHEET NO. R002, FOR EROSION CONTROL, CONSTRUCTION AND TOPSOIL NOTES.

BACK FILL NOTE:
 SHOULDERS SHALL BE BACK FILLED WITH TBSC COMPACTED AS PART OF THE FINISHING OPERATION. PRICE TO BE INCLUDED IN PAY ITEM. REQUIRED AMOUNT OF TBSC FOR THE TYPICAL SECTION IS 0.05 TONS/LF. REQUIRED AMOUNT OF TBSC FOR GUARDRAIL WIDENING IS 0.49 TONS/LF.

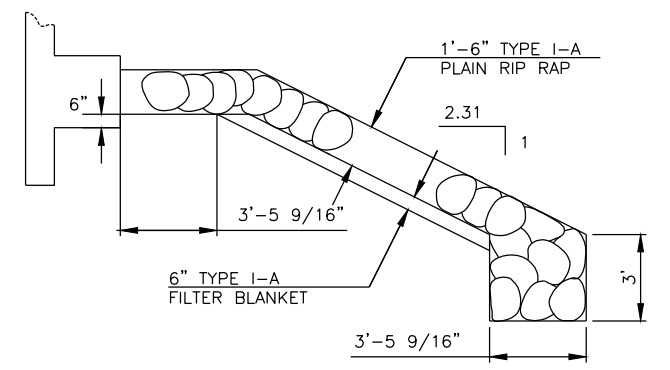


GUARD RAIL WIDENING TYPICAL SECTION

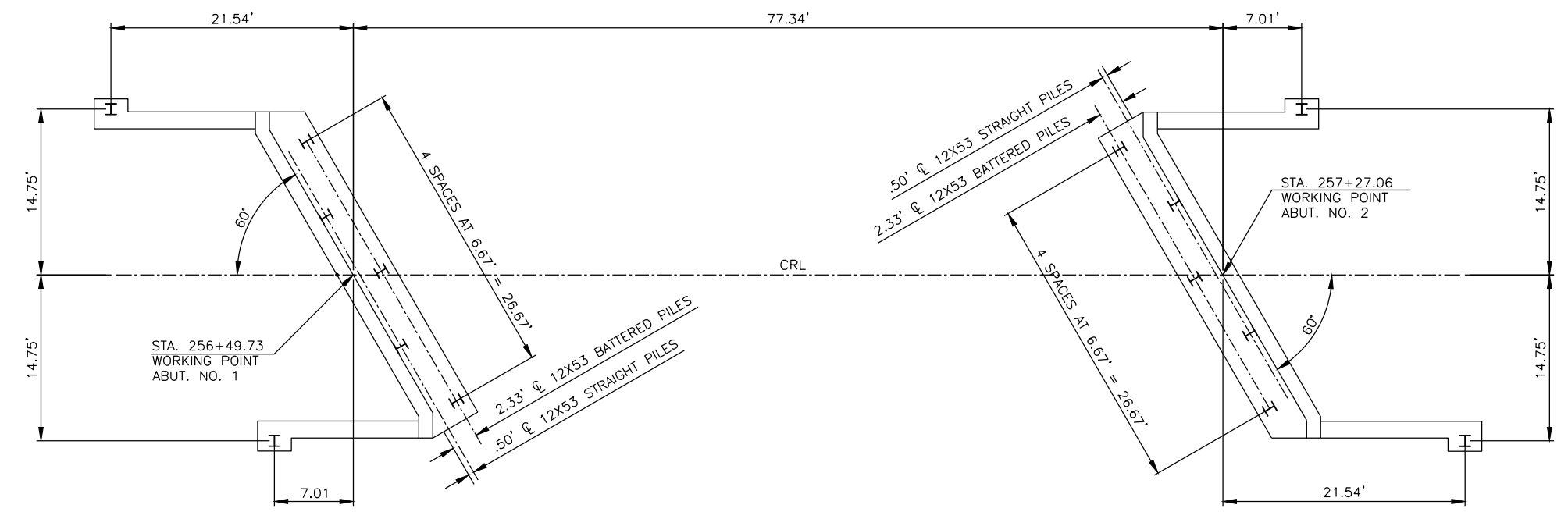
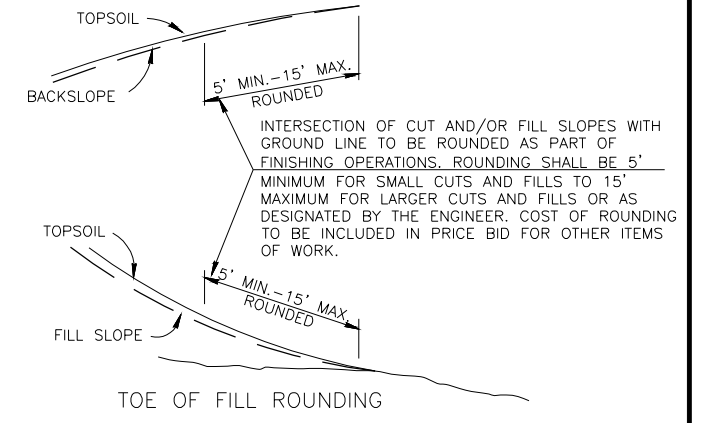
STA. 255+28.02 LT. TO STA. 256+28.02 LT.
 STA. 255+42.55 RT. TO STA. 256+42.55 RT.
 STA. 257+34.24 LT. TO STA. 258+05.71 LT.
 STA. 257+48.77 RT. TO STA. 258+48.77 RT.



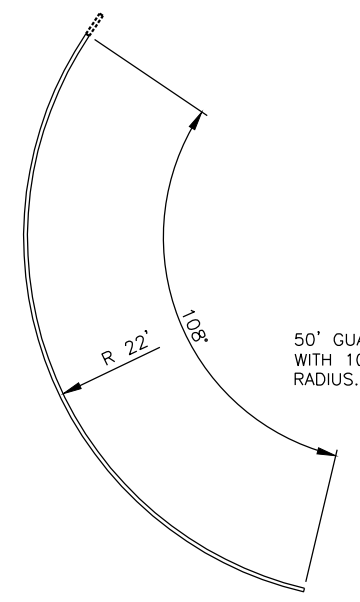
DITCH RIPRAP TYPICAL SECTION



RIPRAP TYPICAL SECTION



BRIDGE "A" STAKING DIAGRAM



GUARDRAIL BENDING DETAIL

R.P. STA. 257+93.97 35' LT. CRL

50' GUARDRAIL ANCHOR UNIT TYPE A WITH 108 DEGREE BEND ON 22 FOOT RADIUS.

TYPICAL SECTION AND MISCELLANEOUS DETAILS